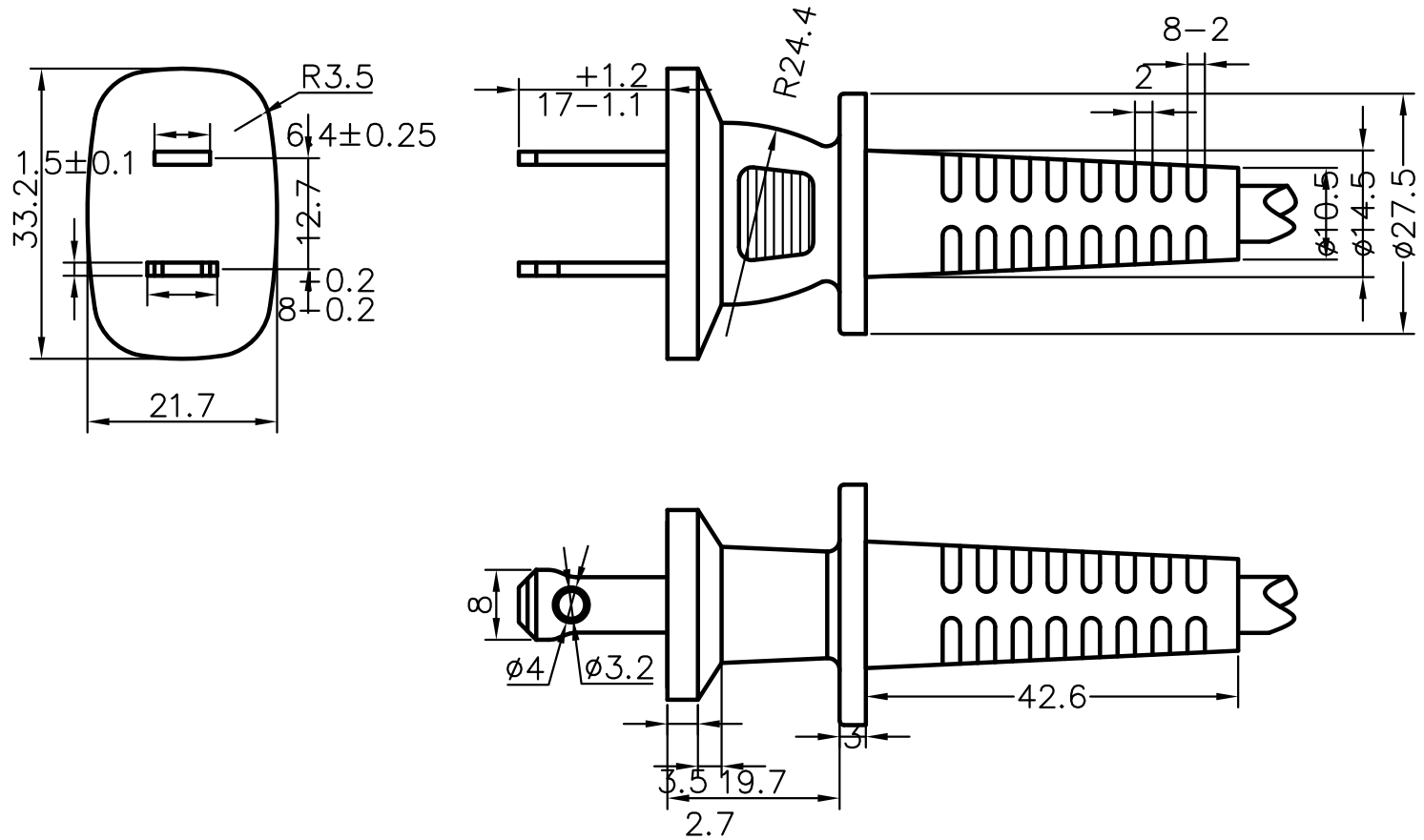


# 1-15P 13A 125V 2 Pin Plug AC Power Lead YY-2A



**AMERICAN POWER CORDS**